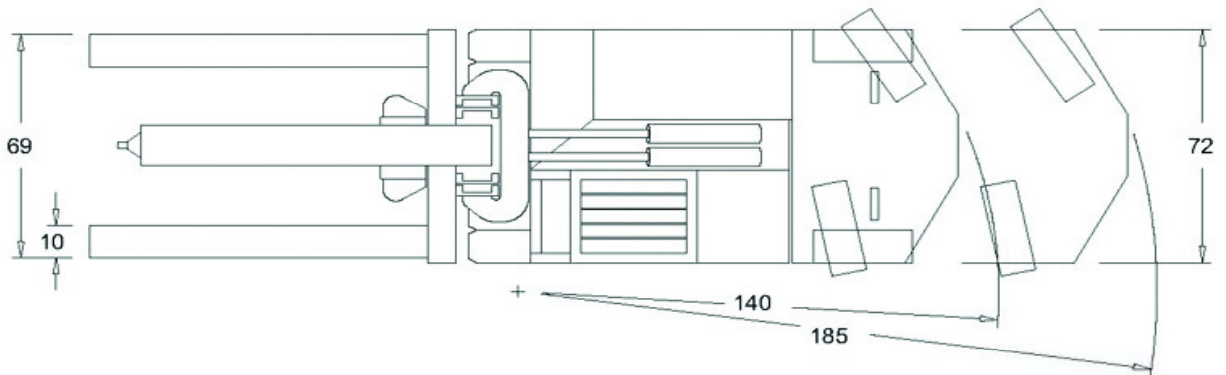
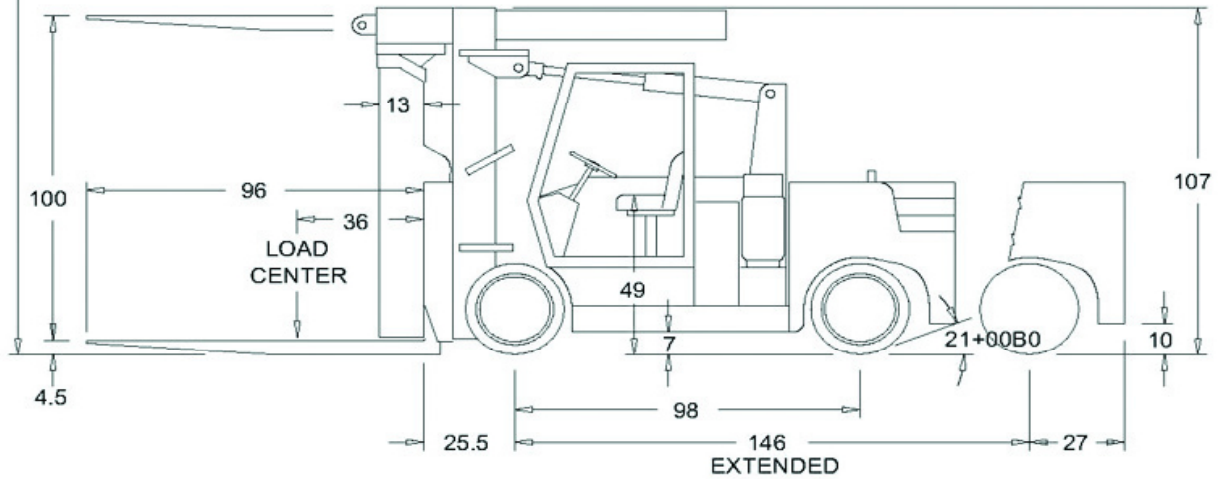


Engine:	GM 3.0L
Transmission:	Rexroth Hydrostatic
Drive Axle:	Rockwell Planetary Drive
Tires:	Front 28X10X22 Poly Rear 28X10X22 Poly
Grade:	Empty 47% Loaded 20%
Tilt:	Forward 12° Back 7°
Weight:	Gross: 58,000 lbs Boom: 5,500 lbs Forks: 3,000 lbs
Boom Reach:	26' (to center of pin)
Load Capacity:	40,000 lbs @ 36" retracted 60,000 lbs @ 36" extended
Width:	72"
Wheelbase:	98" retracted 146" extended





www.A1Lift.net
(423) 622-9115

Versa Lift 40/60
Lifting Capacity

Slab Weight (lbs)
3750

Number of Slabs
4

Standard Wheel Base (in)
98

		Lifting Capacity w/ Forks Only (lbs)				
		Counterweight Extension (in)				
		0	12	24	36	48
Load Center From Fork Face (in)	36	41600	46300	51000	55600	60300
	48	34800	38700	42600	46500	50400
	60	30000	33300	36600	40000	43300
	72	26300	29200	32100	35100	38000
	84	23400	26000	28600	31200	33800
www.a1lift.net						

		Lifting Capacity w/ Boom Only (lbs)				
		Counterweight Extension (in)				
		0	12	24	36	48
Load Center From Boom Face (in)	24	39700	44200	48800	53400	58000
	36	33300	37100	41000	44800	48600
	48	28700	32000	35300	38600	41900
	60	25200	28100	31000	33900	36800
	72	22400	25000	27600	30200	32800
	78	21300	23700	26200	28600	31100
	84	20200	22600	24900	27200	29600
	90	19300	21500	23700	26000	28200
	96	18400	20600	22700	24800	26900
	102	17600	19700	21700	23800	25800
	108	16900	18900	20800	22800	24700
	114	16300	18100	20000	21900	23800
120	15600	17400	19200	21000*	21000*	
www.a1lift.net						

		Lifting Capacity w/ Forks & Boom (lbs)				
		Counterweight Extension (in)				
		0	12	24	36	48
Load Center From Boom Face (in)	24	38300	42900	47500	52100	56600
	36	32200	36000	39800	43700	47500
	48	27700	31000	34300	37600	40900
	60	24300	27200	30100	33000	35900
	72	21700	24300	26900	29400	32000
www.a1lift.net						

***All Load Capacities are rated with the mast vertical.



www.A1Lift.net
(423) 622-9115

Versa Lift 40/60 Features

Versa Lift 40/60 Features	
Engine:	GM 3.0L
Transmission:	Rexroth Hydrostatic
Drive Axle:	Rockwell Planetary Drive
Tires:	Front 28X10X22 Poly Rear 28X10X22 Poly
Grade:	Empty 47% Loaded 20%
Tilt:	Forward 12° Back 7°
Weight:	Gross: 58,000 lbs Boom: 5,500 lbs Forks: 3,000 lbs
Boom Reach:	26' (to center of pin)
Load Capacity:	40,000 lbs @ 36" retracted 60,000 lbs @ 36" extended
Width:	72"
Wheelbase:	98" retracted 146" extended
Additional Features:	
<ul style="list-style-type: none">- Boom removes in minutes with special Boom stand- Horizontal Boom retracts while using forks- 2-stage direct roller mast	



Weights and Floor Loadings
Versa-Lift 40/60 with Boom and Forks

Front Track	52"
Rear Track	62"
Overall Width	72"
Wheelbase Extends	98" to 146"

Weights (Boom and Forks Included)

	No Load	Frame Out 60,000# Load	Frame In 40,000# Load
Weight on Drive Axle	27,000#	112,000#	92,000#
Weight on Steer Axle	31,000#	6,000#	6,000#
Total Weight	58,000#	118,000#	98,000#

Floor Loading with Poly Tires

	Est. Ground Pressure	EST Foot Print (per wheel)
Floor Loading - Empty	381 PSI on Steer	41.94 sq inches each
Floor Loading - Loaded (60,000# At 36" Load Center)	643 PSI on Drive	87.06 sq inches each