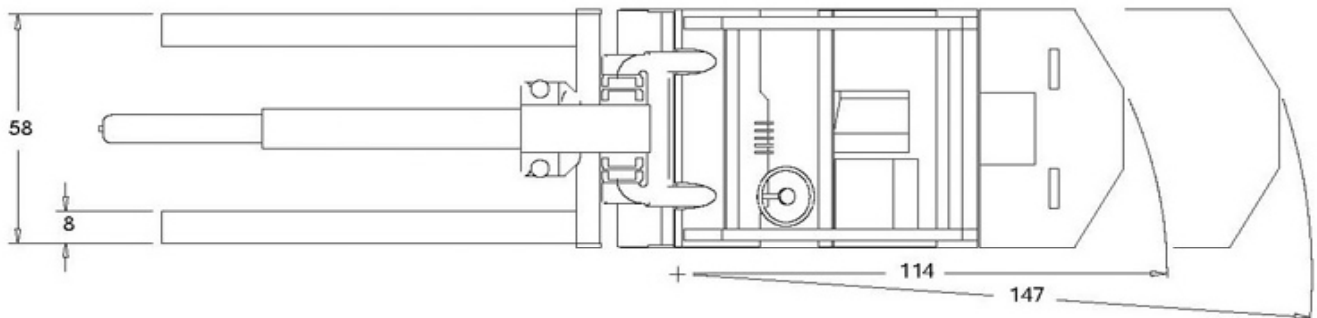
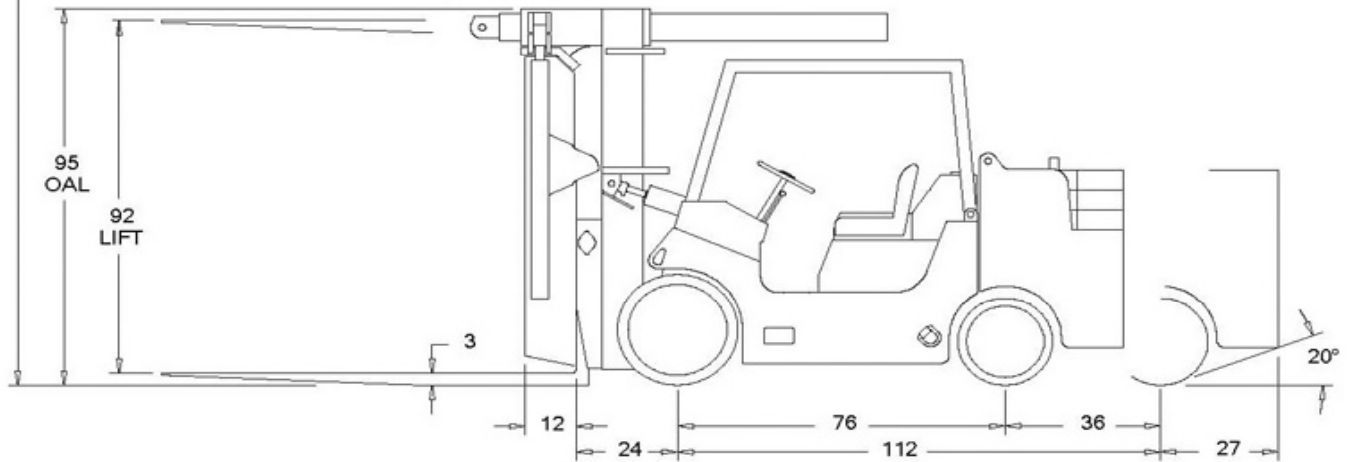


Engine:	GM 3.0L
Transmission:	Rexroth Hydrostatic
Drive Axle:	Rockwell Planetary Drive
Tires:	Front 28X16 Poly Rear 22X8 Poly
Grade:	Empty 38% Loaded 17%
Tilt:	Forward 11° Back 6°
Weight:	Gross: 30,000 lbs Boom: 3,000 lbs Forks: 1,500 lbs
Boom Reach:	22' (to center of pin)
Load Capacity:	25,000 lbs @ 24" retracted 35,000 lbs @ 24" extended
Width:	58"
Wheelbase:	76" retracted 112" extended





www.A1Lift.net
(423) 622-9115

Versa Lift 25/35
Lifting Capacity

Slab Weight (lbs)
1900

Number of Slabs
3

Standard Wheel Base (in)
76

		Lifting Capacity w/ Forks Only (lbs)			
		Counterweight Extension (in)			
		0	12	24	36
Load Center From Fork Face (in)	24	24300	28200	32000	35800
	36	19400	22500	25500	28600
	48	16200	18700	21300	23800
	60	13800	16000	18200	20400
	72	12100	14000	15900	17800
	84	10700	12400	14100	15800

www.a1lift.net

		Lifting Capacity w/ Boom Only (lbs)			
		Counterweight Extension (in)			
		0	12	24	36
Load Center From Boom Face (in)	12	23500	27400	31200	35100
	24	18800	21900	24900	28000
	36	15600	18200	20700	23300
	48	13400	15600	17800	19900
	60	11700	13600	15500	17400
	72	10400	12100	13800	15500
	84	9400	10900	12400	13900
	96	8500	9900	11300	12700

www.a1lift.net

		Lifting Capacity w/ Forks & Boom (lbs)			
		Counterweight Extension (in)			
		0	12	24	36
Load Center From Boom Face (in)	24	17800	20900	24000	27000
	36	14800	17400	19900	22500
	48	12700	14900	17100	19300
	60	11100	13000	14900	16800
	72	9900	11600	13300	15000
	84	8900	10400	11900	13500
	96	8100	9500	10800	12200

www.a1lift.net

*****All Load Capacities are rated with the mast vertical.**



www.A1Lift.net
(423) 622-9115

Versa Lift 25/35 Features

Versa Lift 25/35 Features	
Engine:	GM 3.0L
Transmission:	Rexroth Hydrostatic
Drive Axle:	Rockwell Planetary Drive
Tires:	Front 28X16 Poly Rear 22X8 Poly
Grade:	Empty 38% Loaded 17%
Tilt:	Forward 11° Back 6°
Weight:	Gross: 30,000 lbs Boom: 3,000 lbs Forks: 1,500 lbs
Boom Reach:	22' (to center of pin)
Load Capacity:	25,000 lbs @ 24" retracted 35,000 lbs @ 24" extended
Width:	58"
Wheelbase:	76" retracted 112" extended
Additional Features:	
<ul style="list-style-type: none">- Boom removes in minutes with special Boom stand- Horizontal Boom retracts while using forks- 2-stage direct roller mast	



Weights and Floor Loadings
Versa-Lift 25/35 with Boom and Forks

Front Track	44"
Rear Track	52"
Overall Width	60"
Wheelbase Extends	76" to 112"

Weights (Boom and Forks Included)

	No Load	Frame Out 35,000# Load	Frame In 25,000# Load
Weight on Drive Axle	17,000#	66,400#	56,400#
Weight on Steer Axle	18,000#	3,600#	3,600#
Total Weight	35,000#	70,000#	60,000#

Floor Loading with Poly Tires

	Est. Ground Pressure	EST Foot Print (per wheel)
Floor Loading - Empty	268 PSI on Steer	33.5 sq inches each
Floor Loading - Loaded (35,000# At 24" Load Center)	495 PSI on Drive	67.0 sq inches each