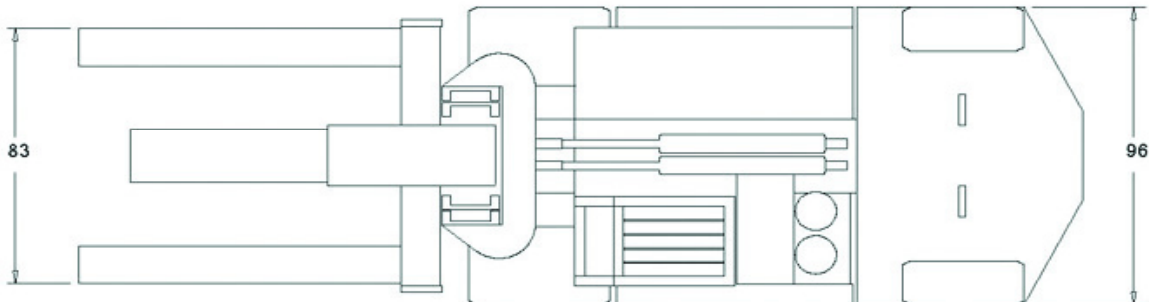
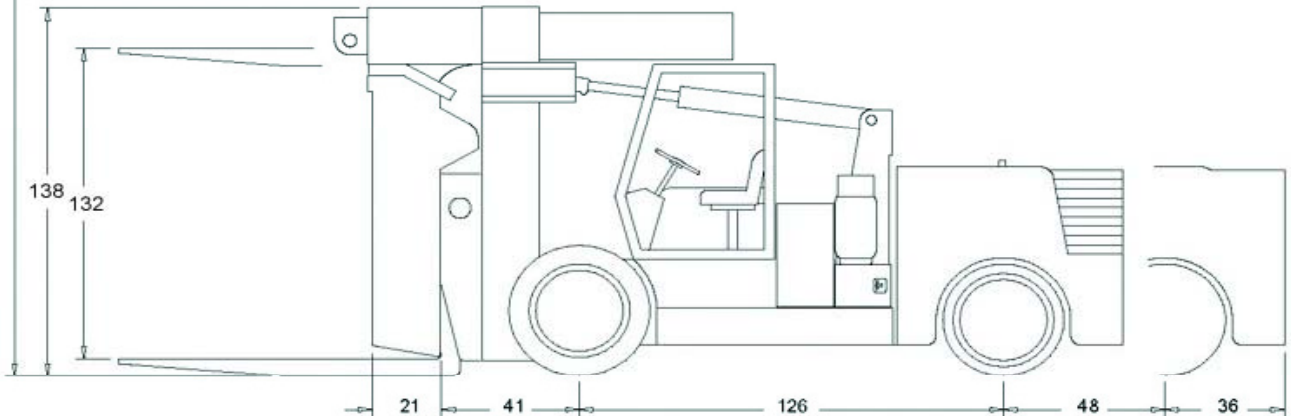


<b>Engine:</b>	GM 4.3L
<b>Transmission:</b>	Rexroth Hydrostatic
<b>Drive Axle:</b>	Rockwell Planetary Drive
<b>Tires:</b>	Front 42X25X30 Poly Rear 36X14X30 Poly
<b>Grade:</b>	Empty 50% Loaded 30%
<b>Tilt:</b>	Forward 10° Back 7°
<b>Weight:</b>	Gross: 100,300 lbs Boom: 13,000 lbs Forks: 5,100 lbs
<b>Boom Reach:</b>	25'8" (to center of pin)
<b>Load Capacity:</b>	85,000 lbs @ 36" retracted 115,000 lbs @ 36" extended 140,000 lbs @ 24" extended
<b>Width:</b>	96"
<b>Wheelbase:</b>	126" retracted 174" extended





www.A1Lift.net  
(423) 622-9115

## Versa Lift 100/140 Features

Versa Lift 100/140 Features	
<b>Engine:</b>	GM 4.3L
<b>Transmission:</b>	Rexroth Hydrostatic
<b>Drive Axle:</b>	Rockwell Planetary Drive
<b>Tires:</b>	Front 42X25X30 Poly Rear 36X14X30 Poly
<b>Grade:</b>	Empty 50% Loaded 30%
<b>Tilt:</b>	Forward 10° Back 7°
<b>Weight:</b>	Gross: 100,300 lbs Boom: 13,000 lbs Forks: 5,100 lbs
<b>Boom Reach:</b>	25'8" (to center of pin)
<b>Load Capacity:</b>	85,000 lbs @ 36" retracted 115,000 lbs @ 36" extended 140,000 lbs @ 24" extended
<b>Width:</b>	96"
<b>Wheelbase:</b>	126" retracted 174" extended
<b>Additional Features:</b>	
<ul style="list-style-type: none"><li>- Boom removes in minutes with special Boom stand</li><li>- Horizontal Boom retracts while using forks</li><li>- 2-stage direct roller mast</li></ul>	



www.A1Lift.net  
(423) 622-9115

**Versa Lift 100/140**  
Lifting Capacity

**Slab Weight (lbs)**  
4700

**Number of Slabs**  
9

**Standard Wheel Base (in)**  
126

		<b>Lifting Capacity w/ Forks Only (lbs)</b>				
		<b>Counterweight Extension (in)</b>				
		<b>0</b>	<b>12</b>	<b>24</b>	<b>36</b>	<b>48</b>
<b>Load Center From Fork Face (in)</b>	<b>24</b>	101700	111400	121100	130700	140400
	<b>36</b>	85800	94000	102200	110400	118500
	<b>48</b>	74300	81300	88400	95500	102600
	<b>60</b>	65400	71700	77900	84100	90400
	<b>72</b>	58500	64100	69600	75200	80800
	<b>84</b>	52900	57900	62900	68000	73000

www.a1lift.net

		<b>Lifting Capacity w/ Boom Only (lbs)</b>				
		<b>Counterweight Extension (in)</b>				
		<b>0</b>	<b>12</b>	<b>24</b>	<b>36</b>	<b>48</b>
<b>Load Center From Boom Face (in)</b>	<b>8</b>	91200	100200	109200	118200	127200
	<b>16</b>	81500	89500	97600	105700	113700
	<b>24</b>	73500	80900	88200	95500	102800
	<b>32</b>	67000	73700	80400	87100	93800
	<b>40</b>	61400	67600	73800	79900	86100
	<b>48</b>	56700	62400	68100	73900	79600
	<b>56</b>	52600	57900	63300	68600	73900
	<b>64</b>	49000	54000	59000	64000	69000
	<b>72</b>	46000	50700	55400	60100	64800
	<b>80</b>	43300	47700	52200	56600	61000
	<b>88</b>	40900	45100	49300	53500	57700
	<b>96</b>	38700	42700	46700	50700	54700
	<b>102</b>	37300	41100	44900	48800	52600
	<b>112</b>	35000	38600	42200	45900	49500
<b>120</b>	33400	36800	40300	43800	47200	

www.a1lift.net

		<b>Lifting Capacity w/ Forks &amp; Boom (lbs)</b>				
		<b>Counterweight Extension (in)</b>				
		<b>0</b>	<b>12</b>	<b>24</b>	<b>36</b>	<b>48</b>
<b>Load Center From Boom Face (in)</b>	<b>12</b>	82000	90500	99000	107500	116000
	<b>24</b>	70600	77900	85200	92500	99800
	<b>36</b>	61900	68400	74800	81200	87600
	<b>48</b>	55200	60900	66600	72300	78100
	<b>60</b>	49700	54900	60100	65200	70400
	<b>72</b>	45300	50000	54700	59400	64100

www.a1lift.net

**\*\*\*All Load Capacities are rated with the mast vertical.**



**Weights and Floor Loadings**  
**Versa-Lift 100/140 with Boom and Forks**

Front Track	71"
Rear Track	82"
Overall Width	96"
Wheelbase Retracted	126"
Wheelbase Extended	174"

**Weights (Boom and Forks Included)**

	No Load	Frame Out 115,000# Load	Frame In 85,000# Load
Weight on Drive Axle	55,600#	221,500#	192,600#
Weight on Steer Axle	64,400#	13,500#	12,400#
Total Weight	120,000#	235,000#	205,000#

**Floor Loading with Poly Tires**

	Est. Ground Pressure	EST Foot Print (per wheel)
Floor Loading - Empty	398 PSI on Steer	80.90 sq inches each
Floor Loading - Loaded (60,000# At 36" Load Center)	390 PSI on Drive	283.97 sq inches each